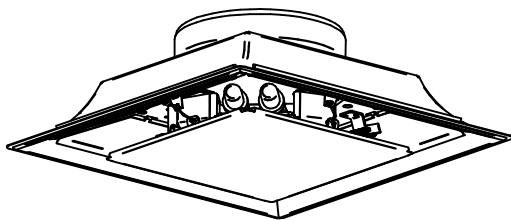
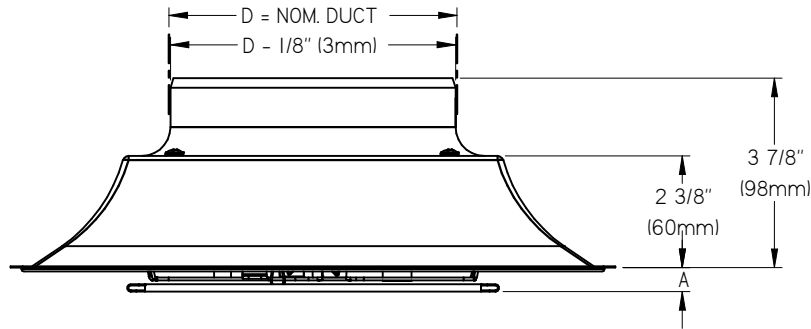


VKD - VARITHERM® TASK DIFFUSER



CEILING MODULE	A
12 7/8" x 12 7/8"	1/2"
300mm x 300mm	25mm
325mm x 325mm	13mm

CEILING MODULE:

- 12 7/8" x 12 7/8"
- 300mm x 300mm
- 325mm x 325mm

NOMINAL DUCT SIZE:

- 6" (152mm)

STANDARD CONSTRUCTION:

- STEEL CONSTRUCTION

OPERATION:

- HC - VAV HEATING AND COOLING
- C - VAV COOLING ONLY
- D - MANUALLY ADJUSTABLE
- RA - MATCHING RETURN

SETPOINT RANGE:

- STANDARD RANGE FOR HEATING AND COOLING
70 TO 78°F (21 TO 26°C)
- HCSP - HIGHER COOLING RANGE
74 TO 80°F (23 TO 28°C)
- LHSP - LOWER HEATING RANGE
64 TO 73°F (18 TO 23°C)
- HCLH - HIGHER COOLING AND LOWER HEATING

FINISH:

- B12 - WHITE
(OPTIONAL FINISHES AVAILABLE)

OPTIONAL REMOTE ADJUST:

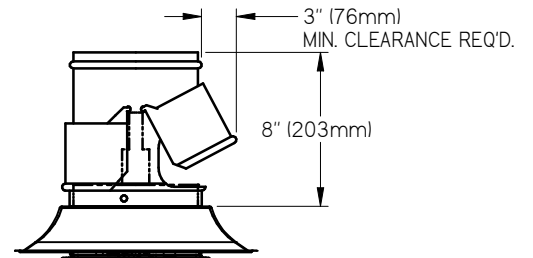
- DISPL - DISIO DISPLAY, MASTER UNIT (REQUIRES 24VAC POWER INPUT)
- DA - SECONDARY UNIT, RESPONDS TO SIGNAL FROM DISPL MASTER UNITS

OPTIONS:

- AFI - FIBERGLASS INSULATION WITH FOIL FACING
- HB - HANGER BRACKETS



- PRC - PRESSURE RELIEF COLLAR (SHIPPED LOOSE)
(ALSO SEE SUBMITTAL 268238)



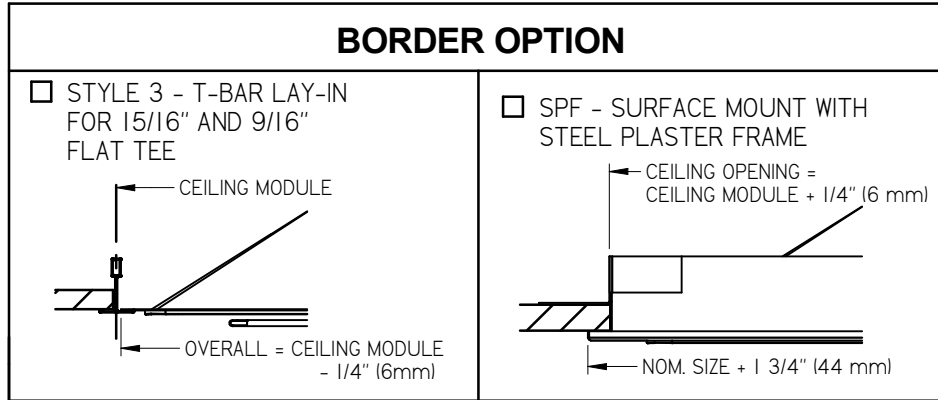
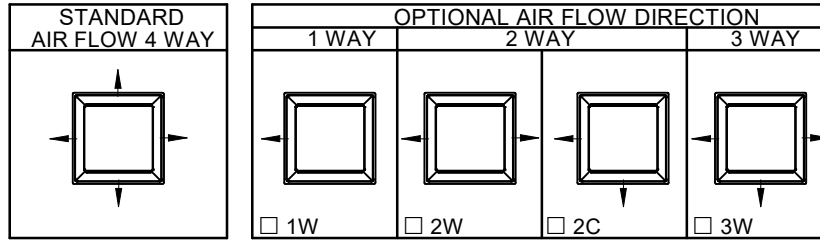
NOTES:

- FACTORY DEFAULTS:
SET TO 74°F (23°C) WITH STANDARD RANGE
COOLING SET TO 80°F (26.5°C) WITH HCSP, HCLH
HEATING SET TO 68°F (20°C) WITH LHSP, HCLH
- FACTORY TOLERANCE ±1/16" (2mm)

ALL METRIC DIMENSIONS () ARE SOFT CONVERTED. IMPERIAL DIMENSIONS ARE CONVERTED TO METRIC AND ROUNDED TO THE NEAREST MILLIMETER.

PROJECT:		PRICE	
ENGINEER:		<i>NS</i>	VKD
CUSTOMER:		275133	VARITHERM® TASK DIFFUSER
SUBMITTAL DATE:	SPEC. SYMBOL:	JAN 2023	

VKD - VARITHERM[®] TASK DIFFUSER



ALL METRIC DIMENSIONS () ARE SOFT CONVERTED. IMPERIAL DIMENSIONS ARE CONVERTED TO METRIC AND ROUNDED TO THE NEAREST MILLIMETER.

PROJECT:		PRICE [®]
ENGINEER:		
CUSTOMER:		275133
SUBMITTAL DATE:	SPEC. SYMBOL:	JAN 2023
		VKD VARITHERM [®] TASK DIFFUSER